

Digalog Functional Tester

Large to lean or anywhere in-between!

Features



Power & E-Stop Panel

Keyboard Drawer

Switching Matrix

Resource Gateway

Recessed PXI Rack

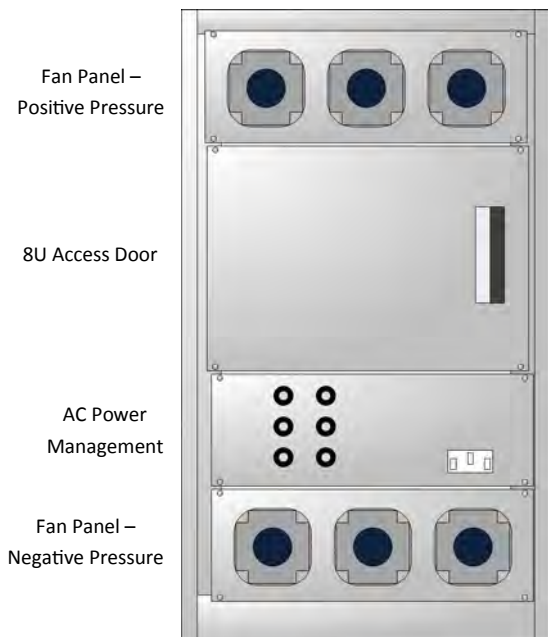
1U Industrial Computer

Power Supply Rack

UPS

- PXI-based instrumentation configurable for your needs.
- LXI-based switching
- Resource Gateway
- GPIB-controlled product power with up to eight independently-controllable supplies of varying voltage and current capacities.

- Brings all resources together in one space-saving cabinet.
- Versatile and inexpensive interface to the DUT.
- Capacity for system self-diagnostics.
- Provides engineering workspace.



Fan Panel –
Positive Pressure

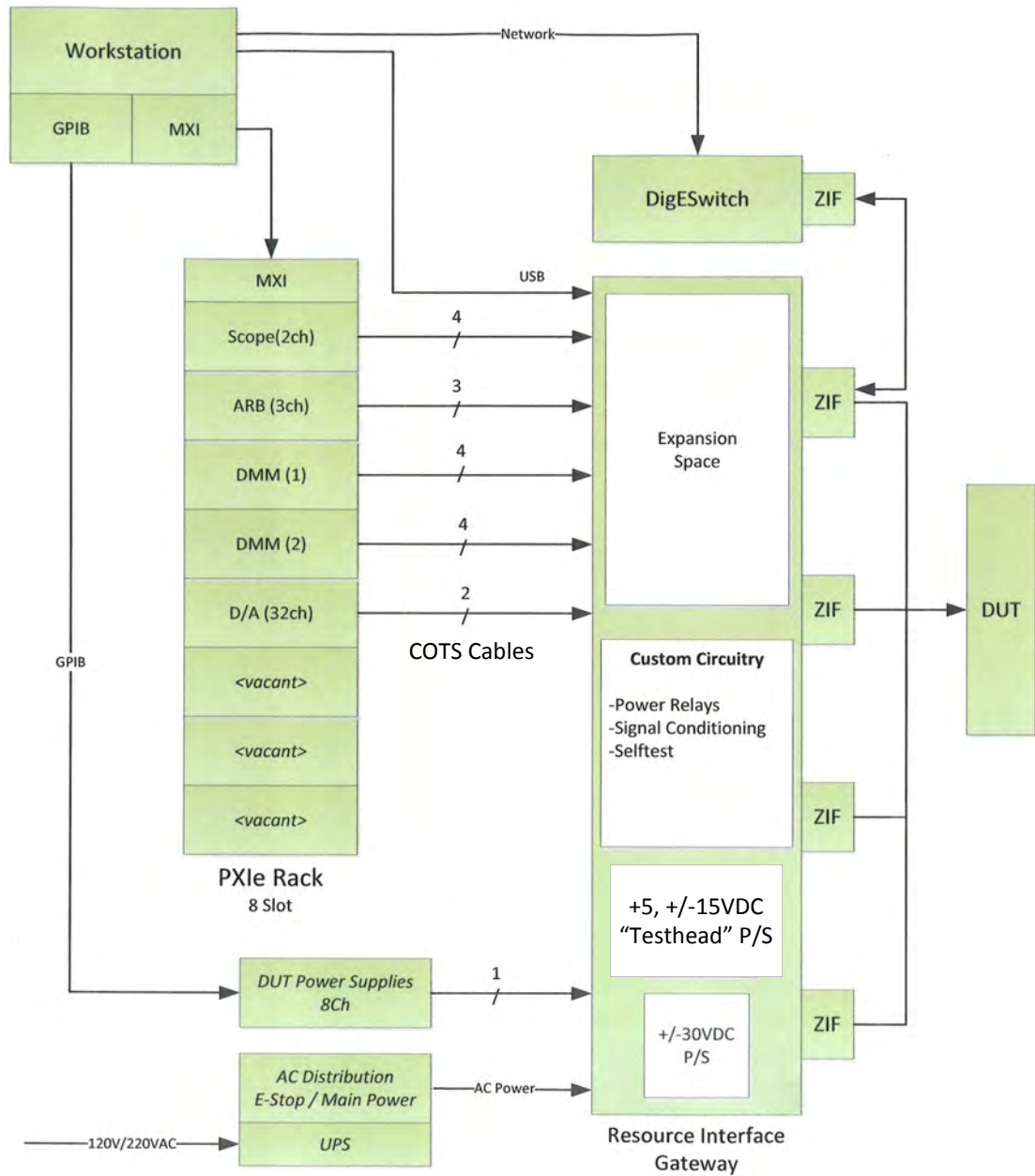
8U Access Door

AC Power
Management

Fan Panel –
Negative Pressure

www.Test-Instruments.com

Fast-Track your ATE Development!



Digalog Functional Tester Block Diagram