



## Features

- 500mA driver sink current
- 50 volt switch voltage
- 48 Channels-Configurable as inputs or outputs
- Direct digital read back
- Driver/receiver state latch
- Trigger bus event generation or output
- Drivers Provided for: Windows 2000/XP/NT/ME/9x
- Programming: Visual Basic, Visual C/C++, LabView, LabWindows/CVI, CVI Function Panels

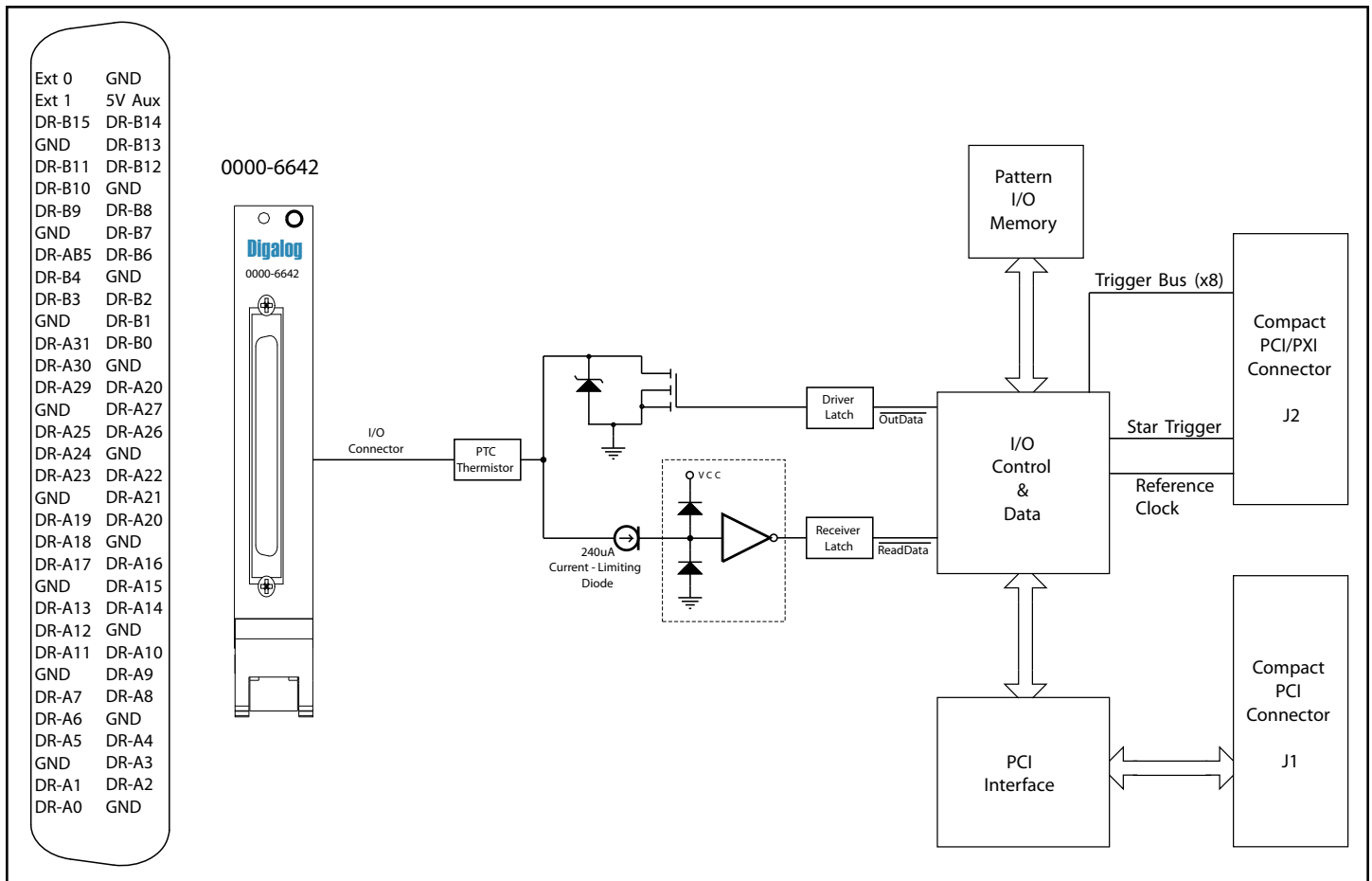


## Function

The Open Collector DIO provides direct interface to TTL, but extends the logic level to much higher voltages with much higher driver currents. All 48 channels states can be individually configured as open collector or low-side drivers. Each of the channels states can be read back, or can be monitored when configured as open collector external devices. The configuration can be actively changed with a simultaneous update to each of the channels. Two additional channels are dedicated as receivers for use in advanced PXI interface features. The open collector outputs are particularly useful as external relay drivers, because of the high voltage compatibility and high current drive.

## PXI Standard

The 6642 48 Open Collector I/O card follows the PXI Specification for peripheral cards. This standard, controlled by the PXI Systems Alliance, builds upon the CompactPCI Specification. The PXI specification adds several enhancements to CompactPCI, most notably a trigger bus, a local bus, a Star trigger, and a reference clock. The specification also includes more stringent system mechanical and software requirements.



PXI Details	
PXI Specification	Revision 2.0 (July 28, 2000)
Form Factor	PXI 3U (half-height), single slot (0.8")
<b>PCI Interface</b>	
Bus Width	32-Bit
I/O Voltage	5V
Bus Speed	0-33MHz
Bus Master	No
Interrupts	No
Hot Swap	No
<b>PXI Signals</b>	
PXI Trigger Bus	Source and Destination
PXI Star Trigger	Destination
PXI Local Bus	No
PXI Reference Clock	10MHz Required
<b>Required Power</b>	
+5V	To be determined
<b>Auxiliary Power</b>	
+5V	I = 500mA at connector (fused)

Connector Details		
I/O Connector	AMP	787394-7

Specifications	
OCIO channels per card	48
Maximum voltage	50 Volts
Maximum Driver sink current	500mA
Maximum receiver current (limit)	240uA
Programmable driver strobe delay	0-6 seconds in 100nS increments
Pattern I/O Depth	512

Receiver Input Networks	
Series resistance	Typical 0.5 ohm
Programmable receiver strobe delay	0-6 seconds in 100nS increments
Programmable delay accuracy	PXI clock accuracy (system dependant)

External Trigger Input	
Voltage	0 to 5.5V
Trigger	Rising edge, TTL levels
Pulse width	30nS minimum

System Operating Environment	
Operating Temperature	0 – 35° C, 32 - 95° F
Humidity	20% to 80% Relative Humidity

Specifications are subject to change without notice.

Z-2564 PXI 6642 (Rev. 021709)