



Features

- Up to 230 channels x 8 buses
- Bus isolation relays
- 19" Rack mount Chassis
- Ethernet 10/100 BaseT communications
- Direct I/O Driver called from C, C++
- Industry-Standard IVI C - Driver
- Support for National Instruments® Switch Executive™

Function

The *DigESwitch* is a versatile and low-cost 10/100 BaseT Ethernet-controlled relay switching solution. The *DigESwitch* is housed in a compact 2U 19" rack-mount chassis, and in its full-capacity configuration features 230 channels x 8 buses. Bus lines can be individually connected and disconnected via bus isolation relays, which significantly simplifies external interface wiring. Each relay channel can carry up to 1.0A with 150VDC/100VAC off-state isolation.

The *DigESwitch* can be utilized as a standalone Ethernet appliance, or as an integrated component of existing or planned test systems. This system is designed to give users the capability of more complex routing and control of resources. Relay programming options include both a Direct I/O driver and the industry-standard IVI driver.

Specifications

DigESwitch I/O Connectors (J1-5)

AMP 2-174225-5

Relays

| | |
|---|----------|
| Type | SPST |
| Static Contact Resistance (maximum initial, typical) | 400 mohm |

| | DC | AC |
|--------------------------|---------------------|------------|
| Max. Switching Voltage | 150 VDC | 150V Peak |
| Max. Switching Current | 0.5 A | 0.5 A Peak |
| Max. Switching Power | 10W | |
| Max. Carry Current | 1 A | 1 A Peak |
| Mech. Life Expectancy | 1 x 10 ⁹ | |
| Operating Time – Typical | 2.5 mS | |
| Max number of relays on | 500 | |
| Replacement relays | Coto 9001-05-01 | |

System Operating Environment

| | |
|-----------------------|--------------------------|
| Operating Temperature | 0-35 |
| Humidity | 20% to 80% rel. humidity |

DigESwitch Configurations

| | |
|------------|---------|
| 0004-5200A | 46 x 8 |
| 0004-5200B | 92 x 8 |
| 0004-5200C | 138 x 8 |
| 0004-5200D | 184 x 8 |
| 0004-5200E | 230 x 8 |

Power Requirements

| | |
|---------------|------------|
| Input Voltage | 90-264 VAC |
| Frequency | 47-63 Hz |
| Power | 60 W Max. |

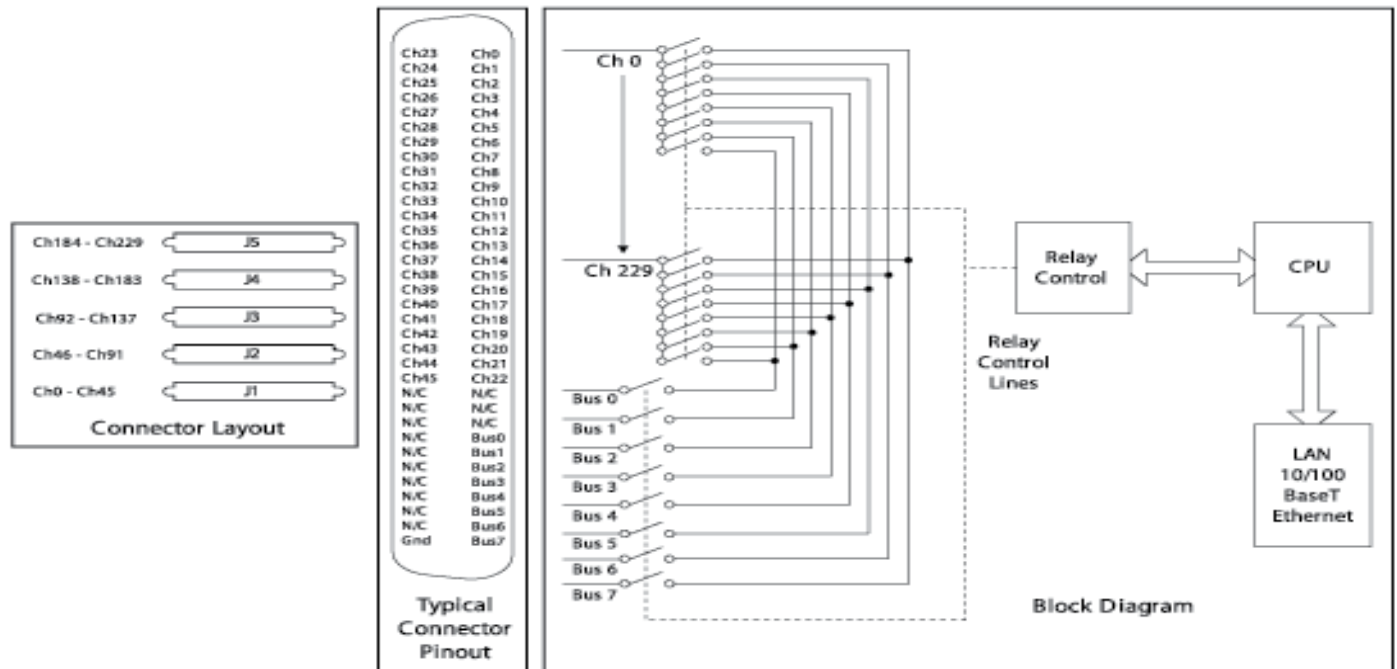
Fuses

| | |
|------------|--|
| N. America | 3A/250V, 3AG Slo-Blo, LittleFuse 313003P |
| Europe | (2) 3.15A/250VAC, .5 x 20mm, Slo-Blo, Littlefuse 2183.15XP |

Box Dimensions

19" Rack mount
2U (3.44") high x 18" deep
Weight - Less than 35 Lb. max.

Specifications are subject to change without notice.



Z-2727 DigESwitch (Rev. 020309)